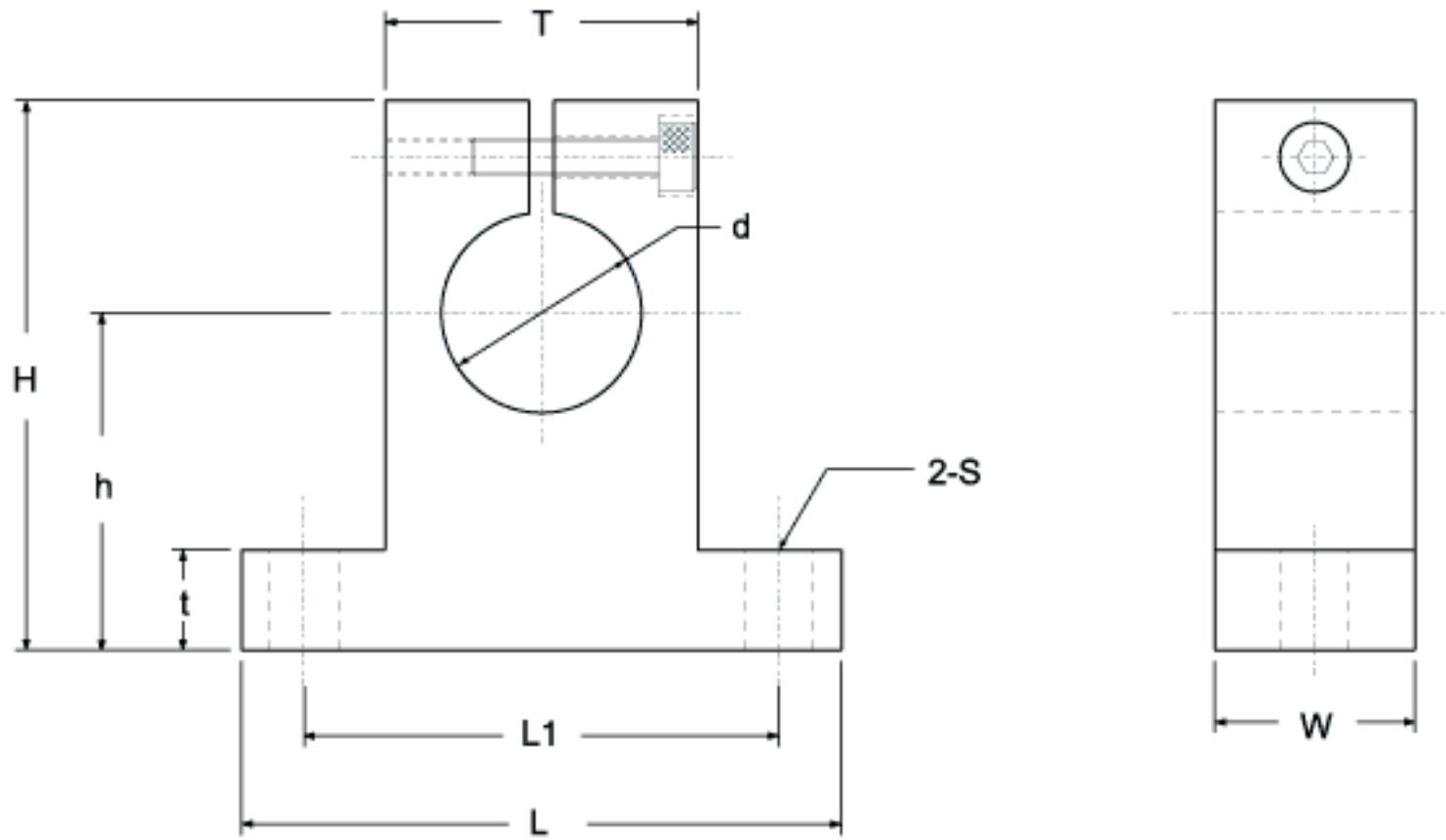


## COMTOP Linear Ball Bearing and Accessory

### Slide Shaft Support



Material: Aluminum Alloy

Unit : mm

Model No.	Basic Dimension									Weight
	d	H	$h \pm 0.02$	t	L	L1	W	T	S	
SS12	12	38	23	6	42	32	14	20	$\phi 5.5$	32
SS16	16	44	27	8	48	38	16	25	$\phi 5.5$	51
SS20	20	51	31	10	60	45	20	30	$\phi 6.6$	88
SS25	25	60	35	12	70	56	24	38	$\phi 6.6$	153
SS30	30	70	42	12	84	64	28	44	$\phi 9$	235