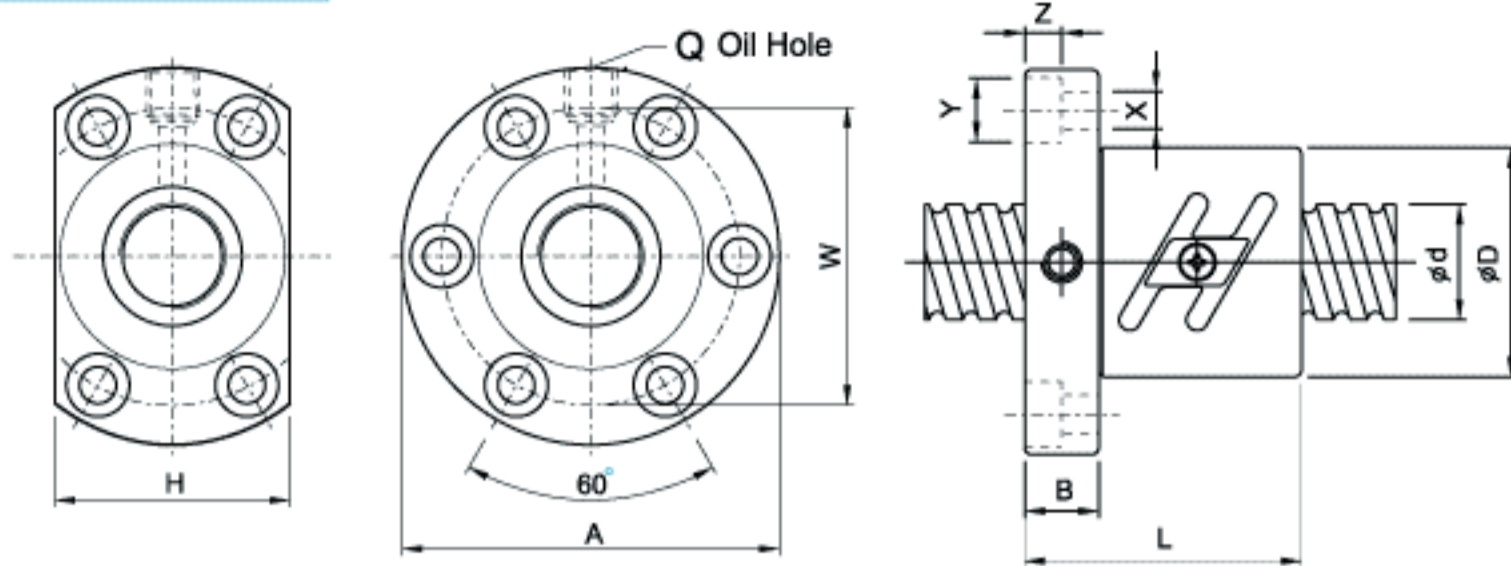


Dimension Table of COMTOP Ball Screws

TYPE : SFT



Unit : mm

I: Lead Da: Ball Dia. n: Number of Circuits K: Stiffness (Kg/ μ m)
 Ca: Basic Dynamic Rating Load (Kgf) Coa: Basic Static Rating Load (Kgf)

Model No.	Dimensions													n	Ca	Coa	K
	d	I	Da	D	A	B	L	W	H	X	Y	Z	Q				
★ SFT2505-5	25	5	3.175	50	73	11	55	61	52	5.5	9.5	5.5	M8	2.5x2	1690	4460	46
★ SFT2510-2.5	25	10	6.350	68	102	15	70	84	82	9	14	8.5	M8	2.5x1	2440	4730	26
★ SFT3205-5	32	5	3.175	58	85	12	56	71	64	6.6	11	6.5	M8	2.5x2	1880	5720	55
★ SFT3206-5	32	6	3.969	62	89	12	65	75	68	6.6	11	6.5	M8	2.5x2	2520	7080	56
★ SFT3208-5	32	8	4.762	66	100	15	82	82	76	9	14	8.5	M8	2.5x2	3230	8360	58
★ SFT3210-5	32	10	6.350	74	108	15	96	90	82	9	14	8.5	M8	2.5x2	4820	11500	63
★ SFT3220-2.5	32	20	6.350	74	108	16	100	90	82	9	14	8.5	M8	2.5x1	2680	6020	30
★ SFT4005-5	40	5	3.175	67	101	15	59	83	72	9	14	8.5	M8	2.5x2	2026	7200	66
★ SFT4010-5	40	10	6.350	82	124	18	100	102	94	11	17.5	11	M8	2.5x2	5300	14000	72
★ SFT4020-2.5	40	20	6.350	82	124	18	100	102	94	11	17.5	11	M8	2.5x1	2970	7370	38
★ SFT5010-5	50	10	6.350	93	135	18	103	113	98	11	17.5	11	M8	2.5x2	5940	18000	89
★ SFT5020-2.5	50	20	9.525	105	152	28	121	128	110	14	20	13	M8	2.5x1	7400	18700	45
★ SFT6310-5	63	10	6.350	108	154	22	105	130	110	14	20	13	M8	2.5x2	6550	22700	107
★ SFT6320-2.5	63	20	9.525	122	180	28	127	150	130	18	26	18	M8	2.5x1	8110	23200	73
★ SFT8010-5	80	10	6.350	130	176	22	105	152	132	14	20	13	M8	2.5x2	7200	28900	129
★ SFT8020-5	80	20	9.525	143	204	28	180	172	148	18	26	18	M8	2.5x2	16700	60100	175
★ SFT8020-7.5	80	20	9.525	143	204	28	240	172	148	18	26	18	M8	2.5x3	23500	89100	252

Note: with sign ★ can produce left helix