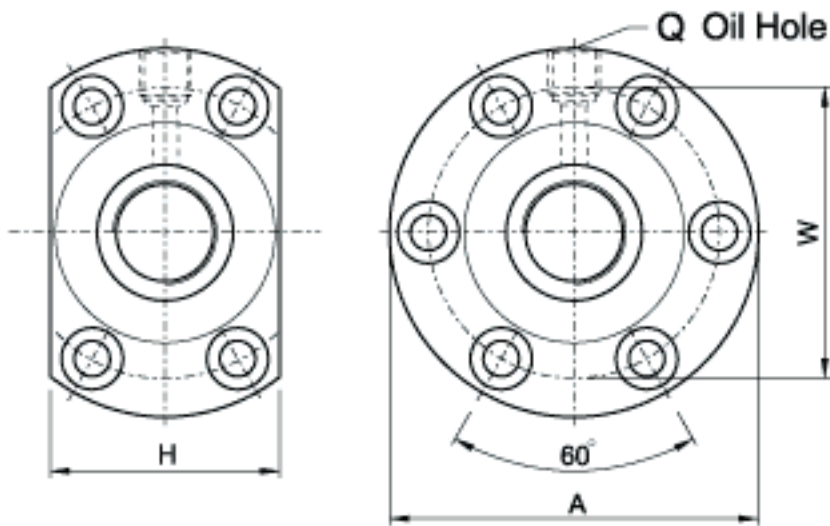
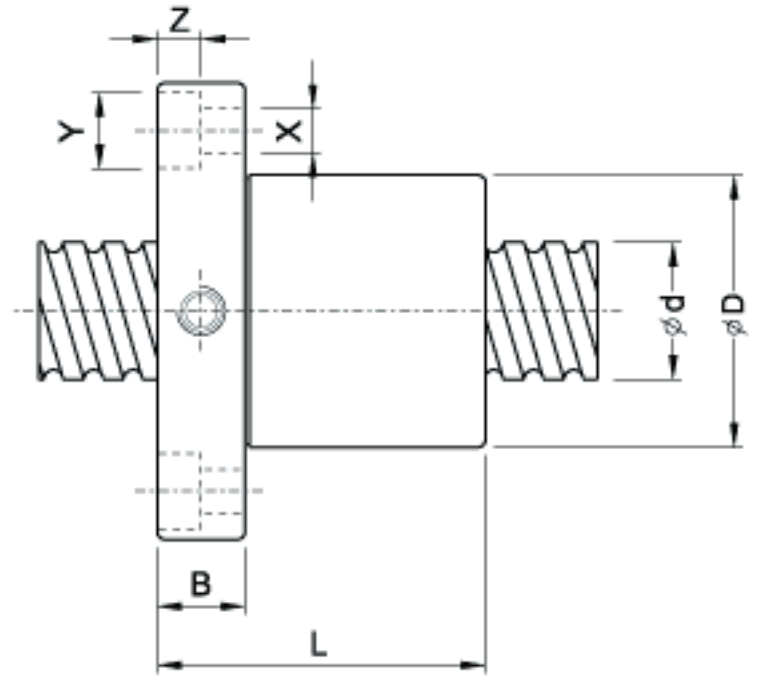
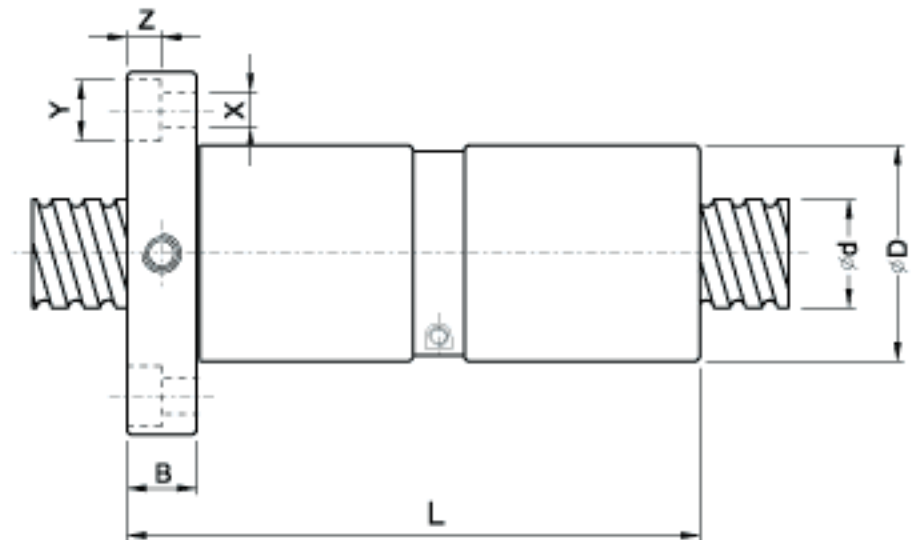


TYPE : SFM

Used for Milling Machine Only



TYPE : DFM



Unit : mm

I: Lead Da: Ball Dia. n: Number of Circuits K: Stiffness (Kg/ μ m)
 Ca: Basic Dynamic Rating Load (Kgf) Coa: Basic Static Rating Load (Kgf)

Model No.	Dimensions													n	Ca	Coa	K
	d	I	Da	D	A	B	L	W	H	X	Y	Z	Q				
★ SFM3205-4	32	5	3.175	48	74	12	52	60	60	6.5	11	6.5	M8	4	1450	4150	40
★ SFM325T-4		5.08	3.175	48	74	12	53	60	60	6.5	11	6.5	M8	4	1450	4150	40
★ DFM3205-4	32	5	3.175	48	74	12	102	60	60	6.5	11	6.5	M8	4	1450	4150	72
★ DFM325T-4		5.08	3.175	48	74	12	104	60	60	6.5	11	6.5	M8	4	1450	4150	72

Note: with sign ★ can produce left helix