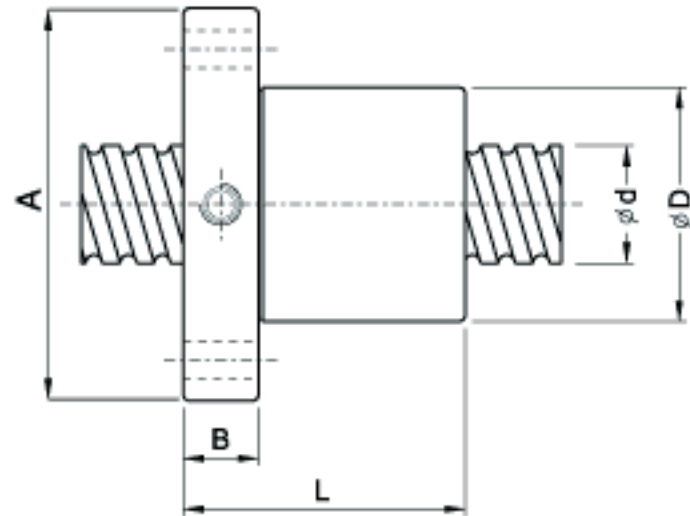
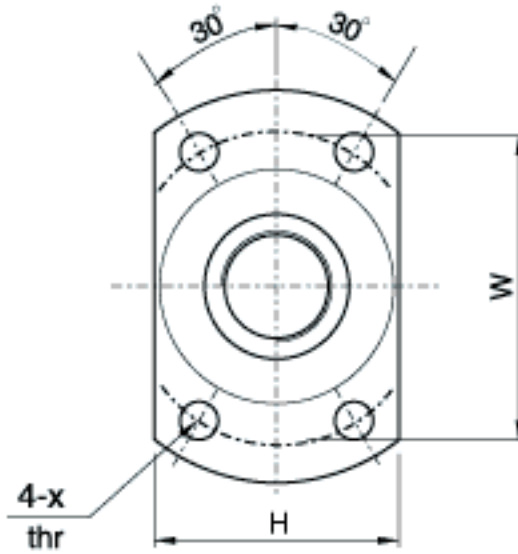


Dimension Table of COMTOP Ball Screws

TYPE : SFK



Unit : mm

l: Lead Da: Ball Dia. n: Number of Circuits K: Stiffness (Kg/ μ m)
 Ca: Basic Dynamic Rating Load (Kgf) Coa: Basic Static Rating Load(Kgf)

Model No.	Dimensions													n	Ca	Coa	K
	d	l	Da	D	A	B	L	W	H	X	Y	Z	Q				
★ SFK0401	4	1	0.8	10	20	3	12	15	14	2.9				2	40	51	2.5
★ SFK0601	6	1	0.8	12	24	3.5	15	18	16	3.4				3	73	121	5.5
★ SFK0801	8	1	0.8	14	27	4	16	21	18	3.4				4	93	173	7.2
★ SFK0802	8	2	1.2	14	27	4	16	21	18	3.4				3	135	225	7.4
★ SFK082.5	8	2.5	1.2	16	29	4	26	23	20	3.4				3	177	278	
★ SFK1002	10	2	1.2	18	35	5	28	27	22	4.5				3	185	305	9
★ SFK1004	10	4	2	26	46	10	34	36	28	4.5				3	395	590	
★ SFK1202	12	2	1.2	20	37	5	28	29	24	4.5				4	173	317	11
★ SFK1204	12	4	2.5	24	40	6	28	32	25	3.5	6	3.5		3	454	722	
★ SFK1205	12	5	2.5	22	37	8	39	29	24	4.5				3	619	883	17
★ SFK1402	14	2	1.2	21	40	6	23	31	26	5.5				4	287	633	12
SFK1602	16	2	1.2	25	43	10	40	35	29	5.5				4	253	670	
★ SFK1604	16	4	2.381	30	49	10	45	39	34	4.5	8	4.5	M6	4	640	1340	16
SFK2002	20	2	1.2	50	80	15	55	65	68	6.5	10.5	6	M6	6	397	1269	
SFK2004	20	4	2.381	34	57	11	46	45	40	5.5	9.5	5.5	M6	4	670	1480	25
SFK2502	25	2	1.2	50	80	13	43	65	68	6.5	10.5	6	M6	5	375	1331	
SFK2503	25	3	2.381	40	63	11	51	51	48	5.5	9.5	5.5	M6	6	1100	3076	
★ SFK2504	25	4	2.381	40	63	11	46	51	46	5.5	9.5	5.5	M6	4	760	1950	31
★ SFK2510	25	10	6.35	46	72	12	85	58	52	6.5	11	6.5	M6	4	2350	6690	45
SFK3204	32	4	2.381	46	72	12	47	58	52	6.5	11	6.5	M6	4	860	3050	40

Note : 1. Nuts do not have seals from $\phi 4$ to $\phi 6$.

Note : 2. COMTOP Standard nuts are no seals, if required, please advise.

Note : 3. All nuts do not have oil hole.

Note: with sign ★ can produce left helix