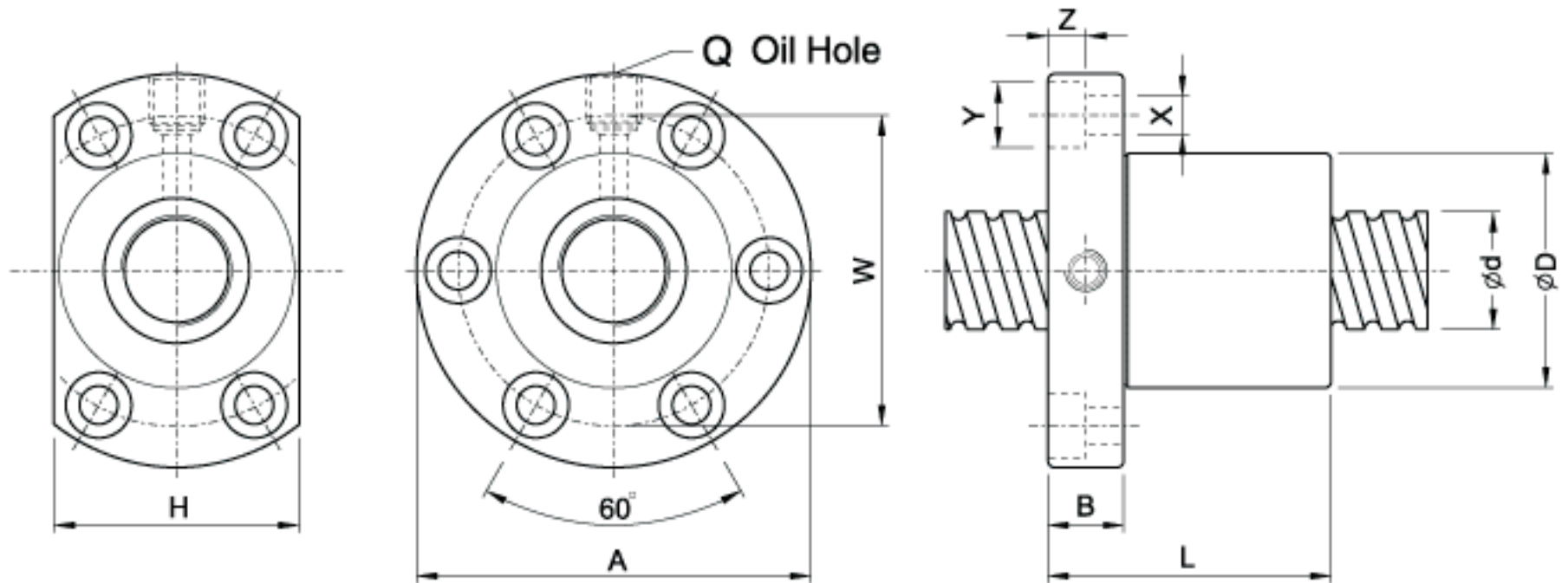


Dimension Table of COMTOP Ball Screws

TYPE : SFI



Unit : mm

I: Lead Da: Ball Dia. n: Number of Circuits K: Stiffness (Kg/ μ m)
 Ca: Basic Dynamic Rating Load (Kgf) Coa: Basic Static Rating Load (Kgf)

Model No.	Dimensions													n	Ca	Coa	K
	d	I	Da	D	A	B	L	W	H	X	Y	Z	Q				
SFI1605-4	16	5	3.175	30	49	10	50	39	34	4.5	8	4.5	M6	4	780	1790	20
★ SFI1610-3	16	10	3.175	34	58	10	57	45	34	5.5	9.5	5.5	M6	3	833	1249	15
★ SFI2005-4	20	5	3.175	34	57	11	51	45	40	5.5	9.5	5.5	M6	4	1130	2380	25
★ SFI205T-4	20	5.08	3.175	34	57	11	51	45	40	5.5	9.5	5.5	M6	4	1130	2380	25
★ SFI2505-4	25	5	3.175	40	63	11	51	51	46	5.5	9.5	5.5	M8	4	1280	3110	35
★ SFI3205-4	32	5	3.175	46	72	12	52	58	52	6.5	11	6.5	M8	4	1450	4150	40
SFI3210-4		10	6.35	54	88	15	90	70	62	9	14	8.5	M8	4	3390	7170	40
★ SFI4005-4	40	5	3.175	56	90	15	55	72	64	9	14	8.5	M8	4	1610	5330	49
SFI4010-4		10	6.35	62	104	18	93	82	70	11	17.5	11	M8	4	3910	9520	50
SFI5010-4	50	10	6.35	72	114	18	93	92	82	11	17.5	11	M8	4	4450	12500	65
★ SFI6310-4	63	10	6.35	85	131	22	98	107	95	14	20	13	M8	4	5070	16600	80
★ SFI8010-4	80	10	6.35	105	150	22	98	127	115	14	20	13	M8	4	5620	21300	90

Note: with sign ★ can produce left helix