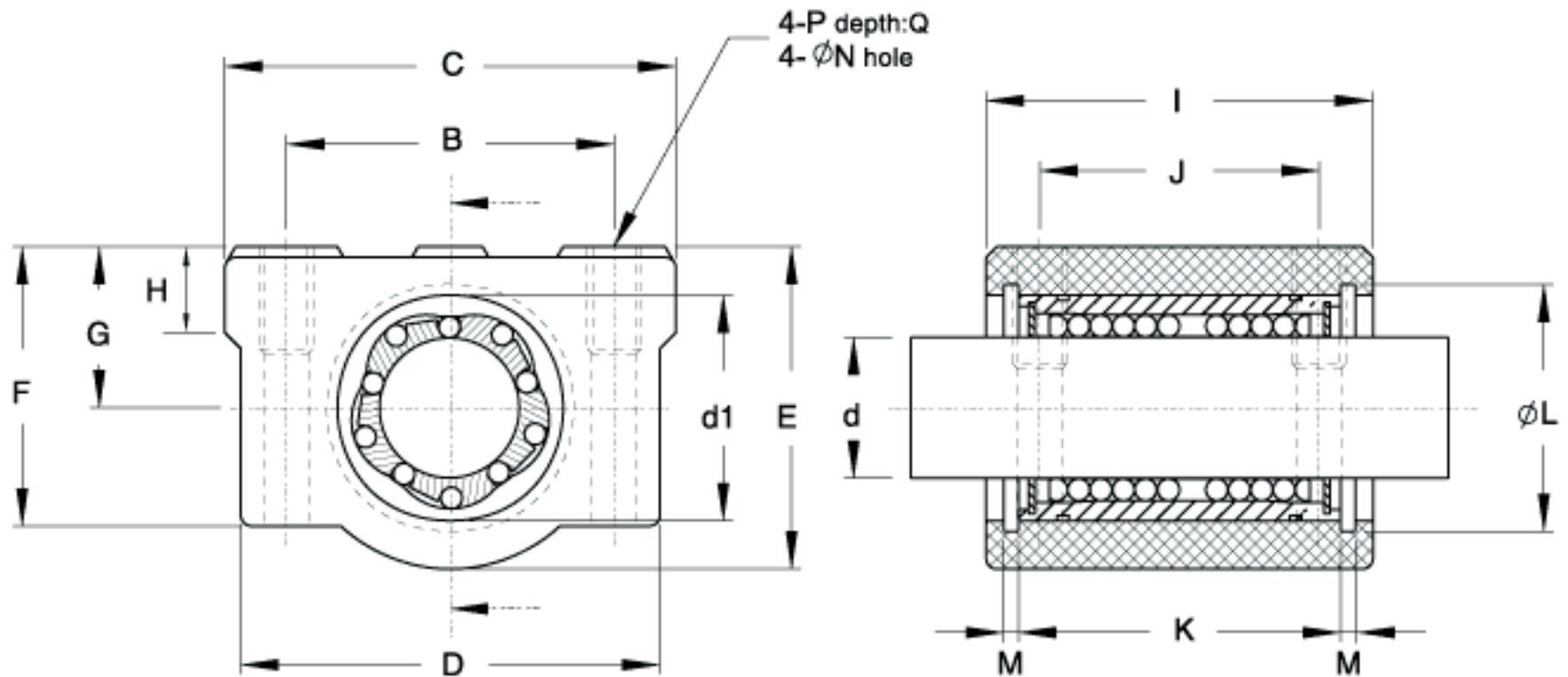


COMTOP Linear Ball Bearing and Accessory

Housing Type



Material: Aluminum Alloy

Unit : mm

Model No.	Basic Dimension																	weight
	d	d1	B	C	D	E	F	G±0.02	H	I	J	K	L	M	N	P	Q	
LU12UU	12	21	30.5	42	39	30	26	15	8	36	26	30	23	1.35	4.2	M5*0.8	10	91
LP12																		65
LU16UU	16	28	36	50	46	38.5	35	19	9	44	34	37	29.4	1.35	4.2	M5*0.8	12	177
LP16																		120
LU20UU	20	32	40	54	52	42	36	21	11	50	40	42	33.7	1.35	5.1	M6*1	12	233
LP20																		150
LU25UU	25	40	54	76	68	51.5	41	26	12	67	50	59	42.5	1.9	6.8	M8*1.25	18	555
LP25																		335
LU30UU	30	45	58	78	72	59.5	49	30	15	72	58	64	47.5	1.9	6.8	M8*1.25	18	660
LP30																		435

Note : LP-No Linear ball bearing (Housing Only)