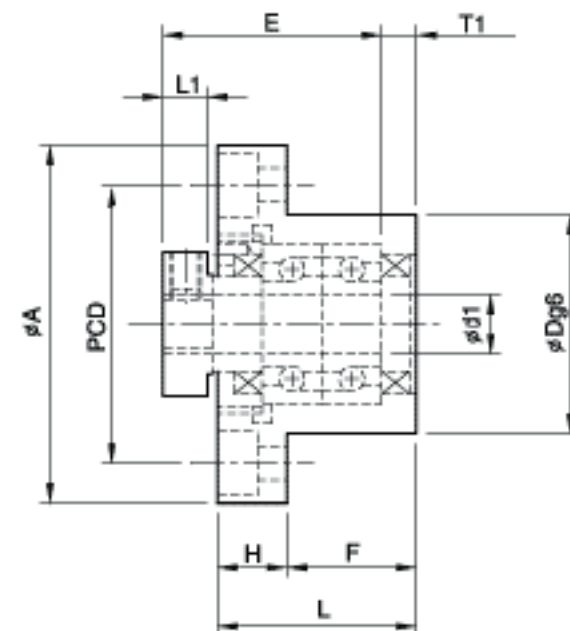
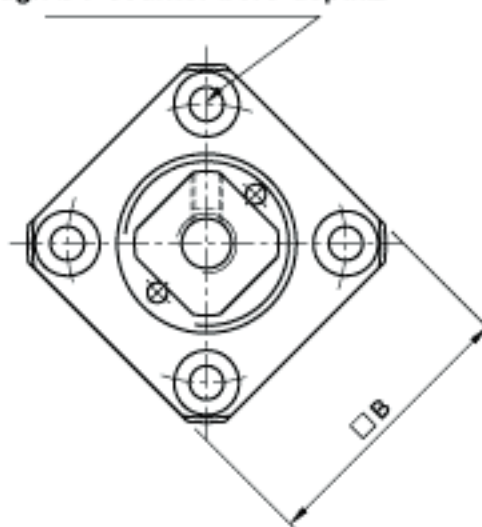


FK

Fixed Side



4-X drill through ϕY counter bore depth Z



Unit : mm

Model No.	d1	L	H	F	E	Dg6	A	PCD	B	L1	T1	X	Y	Z
FK 4	4	15	6	9	17.5	18	32	24	25	5	3	3.4	6.5	4
FK 5	5	16.5	6	10.5	18.5	20	34	26	26	5	3.5	3.4	6.5	4
FK 6	6	20	7	13	22	22	36	28	28	5	3.5	3.4	6.5	4
FK 8	8	23	9	14	26	26	43	35	35	6.5	4	3.4	6.5	4
FK 10	10	28	11	17	29	34	52	42	42	8	5	4.5	8	5
FK 12	12	28	11	17	29.5	36	54	44	44	8	5	4.5	8	5
FK 15	15	32	15	17	33	40	63	50	52	8	6	5.5	9.5	6
FK 20	20	52	22	30	48	57	85	70	68	10	10	6.6	11	10
FK 25	25	57	27	30	57	63	98	80	79	10	10	9	14	13
FK 30	30	62	30	32	60	75	117	95	93	17	11	11	17.5	11