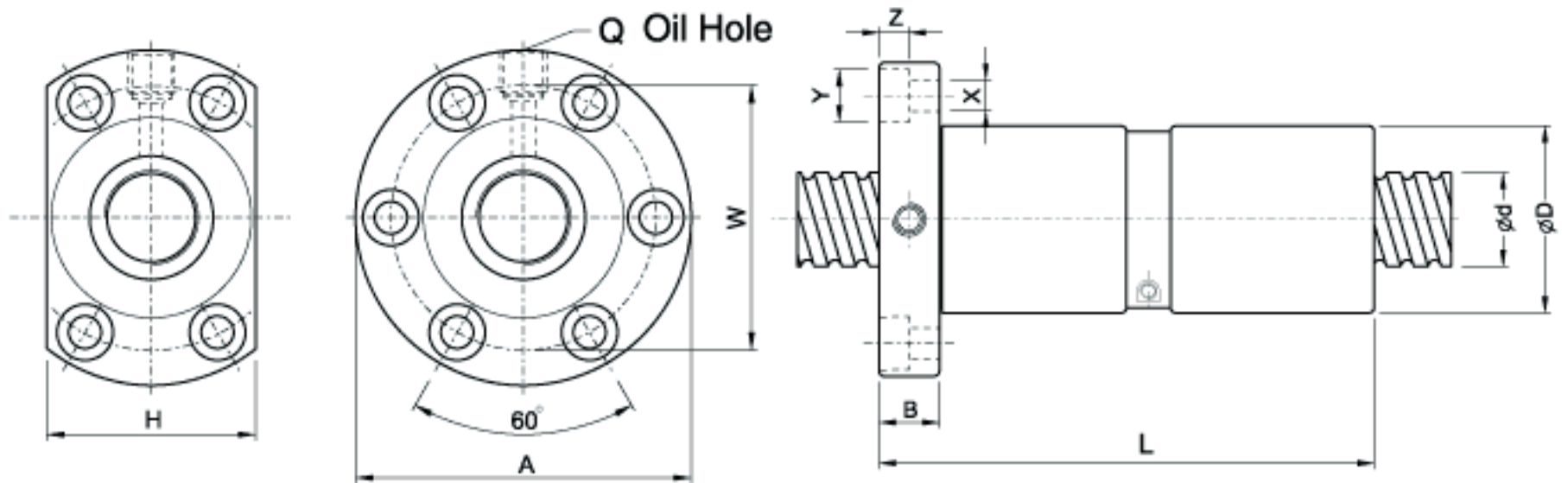


### TYPE : DFI



Unit : mm

I: Lead    Da: Ball Dia.    n: Number of Circuits    K: Stiffness (Kg/ $\mu$ m)  
 Ca: Basic Dynamic Rating Load (Kgf)    Coa: Basic Static Rating Load (Kgf)

Model No.	Dimensions													n	Ca	Coa	K
	d	I	Da	D	A	B	L	W	H	X	Y	Z	Q				
DFI1605-4	16	5	3.175	30	49	10	100	39	34	4.5	8	4.5	M6	4	780	1790	36
★ DFI2005-4	20	5	3.175	34	57	11	101	45	40	5.5	9.5	5.5	M6	4	1130	2380	45
★ DFI2505-4	25	5	3.175	40	63	11	101	51	46	5.5	9.5	5.5	M8	4	1280	3110	63
★ DFI3205-4	32	5	3.175	46	72	12	102	58	52	6.5	11	6.5	M8	4	1450	4150	72
DFI3210-4		10	6.35	54	88	15	162	70	62	9	14	8.5	M8	4	3390	7170	72
★ DFI4005-4	40	5	3.175	56	90	15	105	72	64	9	14	8.5	M8	4	1610	5330	98
DFI4010-4		10	6.35	62	104	18	165	82	70	11	17.5	11	M8	4	3910	9520	90
DFI5010-4	50	10	6.35	72	114	18	171	92	82	11	17.5	11	M8	4	4450	12500	117
★ DFI6310-4	63	10	6.35	85	131	22	182	107	95	14	20	13	M8	4	5070	16600	114
★ DFI8010-4	80	10	6.35	105	150	22	182	127	115	14	20	13	M8	4	5620	21300	162

Note: with sign ★ can produce left helix