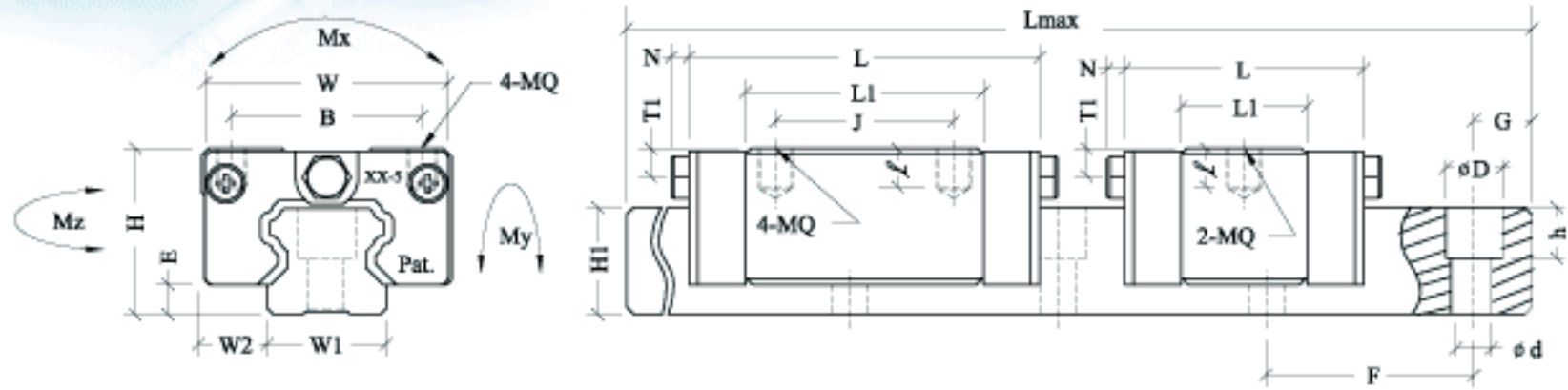


COMTOP

Linear Guideway (BRS-B & BL & BS - Low Assemble type without Flange)



| Model No. | Assembly (mm) | | | | BR block (mm) | | | | | | | BR rail (mm) | | | |
|-----------|---------------|-----|------|-----|---------------|-------|---------|-------|----------|-----|-----|--------------|----|-----|-------------|
| | H | W | W2 | E | L | B x J | MQ x ℓ | L1 | Oil hole | T1 | N | W1 | H1 | F | d x D x h |
| BRS15B | 24 | 34 | 9.5 | 4.6 | 66 | 26X26 | M4X5.6 | 40 | ∅ 3 | 4.3 | 5 | 15 | 14 | 60 | 4.5X7.5X5.3 |
| BRS15BS | | | | | 47.6 | 26X - | | 21.6 | | | | | | | |
| BRS20B | 28 | 42 | 11 | 5 | 77.8 | 32X32 | M5X7 | 48.8 | M6X1 | 5 | 6.5 | 20 | 18 | 60 | 6X9.5X8.5 |
| BRS20BS | | | | | 58 | 32X - | | 28 | | | | | | | |
| BRS25B | 33 | 48 | 12.5 | 7 | 88 | 35X35 | M6X8.4 | 57 | M6X1 | 4.8 | 6.5 | 23 | 22 | 60 | 7X11X9 |
| BRS25BS | | | | | 62.5 | 35X - | | 31.5 | | | | | | | |
| BRS25BL | | | | | 110.1 | 35X50 | | 79.1 | | | | | | | |
| BRS30B | 42 | 60 | 16 | 9 | 109 | 40X40 | M8X11.2 | 72 | M6X1 | 7 | 6.5 | 28 | 26 | 80 | 9X14X12 |
| BRS30BS | | | | | 75.6 | 40X - | | 38.6 | | | | | | | |
| BRS30BL | | | | | 131.3 | 40X60 | | 94.3 | | | | | | | |
| BRS35B | 48 | 70 | 18 | 9.5 | 119 | 50X50 | M8X11.2 | 80 | M6X1 | 8 | 6.5 | 34 | 29 | 80 | 9X14X12 |
| BRS35BS | | | | | 84.7 | 50X - | | 45.7 | | | | | | | |
| BRS35BL | | | | | 144.8 | 50X72 | | 105.8 | | | | | | | |
| BRS45B | 60 | 86 | 20.5 | 14 | 148.2 | 60X60 | M10X14 | 105 | M8X1 | 8.5 | 13 | 45 | 38 | 105 | 14X20X17 |
| BRS45BL | | | | | 173 | 60X80 | | 129.8 | | | | | | | |
| BRS55B | 68 | 100 | 23.5 | 15 | 170 | 75X75 | M12X15 | 121 | M8X1 | 8 | 13 | 53 | 44 | 120 | 16X23X20 |
| BRS55BL | | | | | 205.1 | 75X95 | | 156.1 | | | | | | | |

| Model No. | Ref. Data | | Basic Load Rating (kgf) | | Static Moment (kgf*m) | | | Weight | |
|-----------|-----------|------|-------------------------|--------------------|-----------------------|------|------|-------------|--------------|
| | Lmax | G | Dynamic load rating | Static load rating | Mx | My | Mz | Block (kgf) | Rail (kgf/m) |
| BRS15B | 4000 | 20 | 685 | 1270 | 7 | 5 | 5 | 0.17 | 1.4 |
| BRS15BS | | | 390 | 725 | 4 | 2.8 | 2.8 | 0.1 | |
| BRS20B | 4000 | 20 | 1450 | 2560 | 22 | 18 | 18 | 0.26 | 2.6 |
| BRS20BS | | | 830 | 1470 | 12.6 | 10.3 | 10.3 | 0.17 | |
| BRS25B | 4000 | 20 | 2140 | 4000 | 36 | 32 | 31 | 0.38 | 3.6 |
| BRS25BS | | | 1190 | 2230 | 20 | 17.5 | 17.2 | 0.21 | |
| BRS25BL | | | 2996 | 5600 | 50.4 | 44.8 | 43.4 | 0.53 | |
| BRS30B | 4000 | 20 | 2980 | 5490 | 60 | 50 | 49 | 0.81 | 5.2 |
| BRS30BS | | | 1595 | 2940 | 32 | 27 | 27 | 0.48 | |
| BRS30BL | | | 3900 | 7190 | 78.5 | 65 | 65 | 1.06 | |
| BRS35B | 4000 | 20 | 3960 | 7010 | 96 | 75 | 73 | 1.2 | 7.2 |
| BRS35BS | | | 2260 | 4000 | 54.5 | 42.5 | 41.5 | 0.8 | |
| BRS35BL | | | 5230 | 9270 | 125 | 95 | 95 | 1.6 | |
| BRS45B | 4000 | 22.5 | 6740 | 12100 | 216 | 170 | 168 | 2.1 | 12.3 |
| BRS45BL | | | 8330 | 14950 | 267 | 210 | 210 | 2.6 | |
| BRS55B | 4000 | 30 | 9940 | 17100 | 367 | 293 | 288 | 3.6 | 16.9 |
| BRS55BL | | | 12820 | 22060 | 473 | 380 | 375 | 4.6 | |