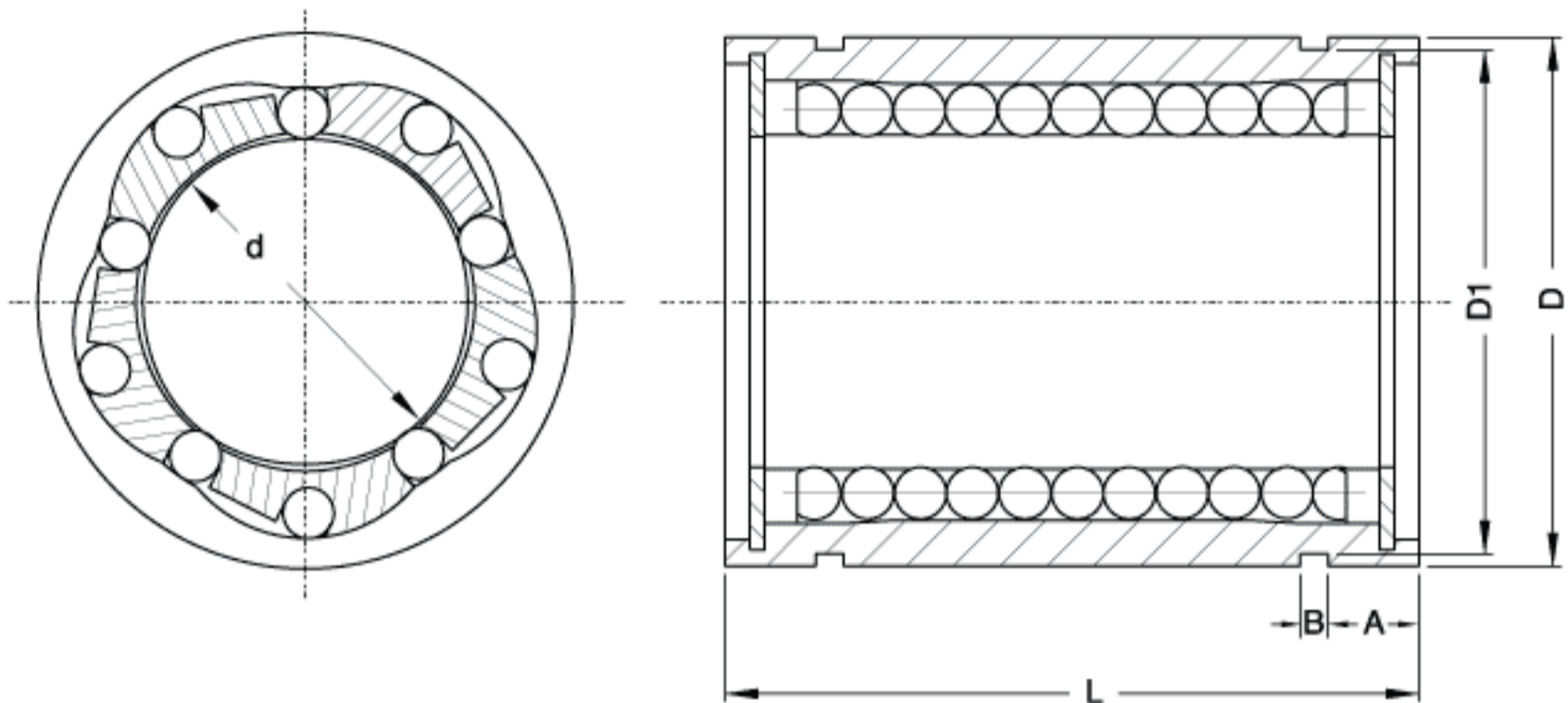


## COMTOP Linear Ball Bearing and Accessory

### Standard Type



Unit : mm

Model No.	Basic Dimension								(Kgf) Load		Weight
	d	D	tolerance	D1	A	B	L	tolerance	Ca	Coa	
LM12	12	21	0	20	3.5	1.5	30		42	61	26
LM12UU			-0.011								
LM16	16	28	0	26.5	5.2	1.8	37	0	79	120	57
LM16UU			-0.013								
LM20	20	32	0	30.5	5.5	1.7	42		90	140	83
LM20UU			-0.016								
LM25	25	40	0	38	9	1.9	59	0	100	160	220
LM25UU			-0.016								
LM30	30	45	0	42.3	10	1.9	64	-0.3	160	280	225
LM30UU			-0.016								
LM30LUU		45	-0.016		17		123		250	550	450

Note : UU with oil seals in ends