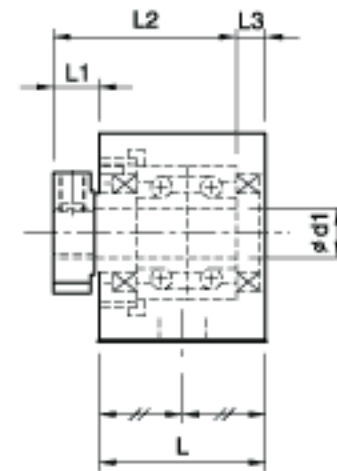


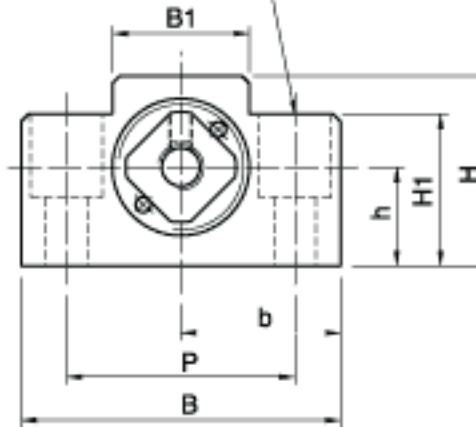
# EK

## Fixed Side

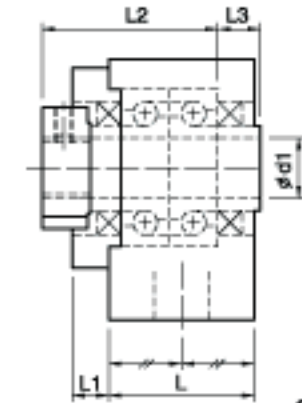


EK4 - 8

2-X drill through  $\phi Y$   
counter bore depth Z

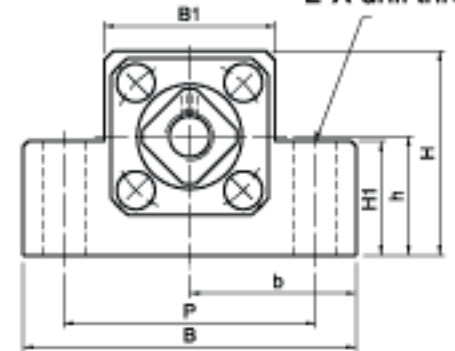


EK6,8



EK10 - 20

2-X drill through



2-X drill through

EK4,5

Unit : mm

Model No.	d1	L	L1	L2	L3	B	H	b <sup>+0.02</sup>	h <sup>+0.02</sup>	B1	H1	P	X	Y	Z
EK 4	4	15	5	17.5	3	34	19	17	10	18	7	26	4.5	-	-
EK 5	5	16.5	5	18.5	3.5	36	21	18	11	20	8	28	4.5	-	-
EK 6	6	20	5	22	3.5	42	25	21	13	18	20	30	5.5	9.5	11
EK 8	8	23	6.5	26	4	52	32	26	17	25	26	38	6.6	11	12
EK 10	10	24	6	29	7	70	43	35	25	36	24	52	9	-	-
EK 12	12	24	6	29.5	7	70	43	35	25	36	24	52	9	-	-
EK 15	15	25	6	33	7	80	49	40	30	41	25	60	11	-	-
EK 20	20	42	10	48	10	95	58	47.5	30	56	25	75	11	-	-