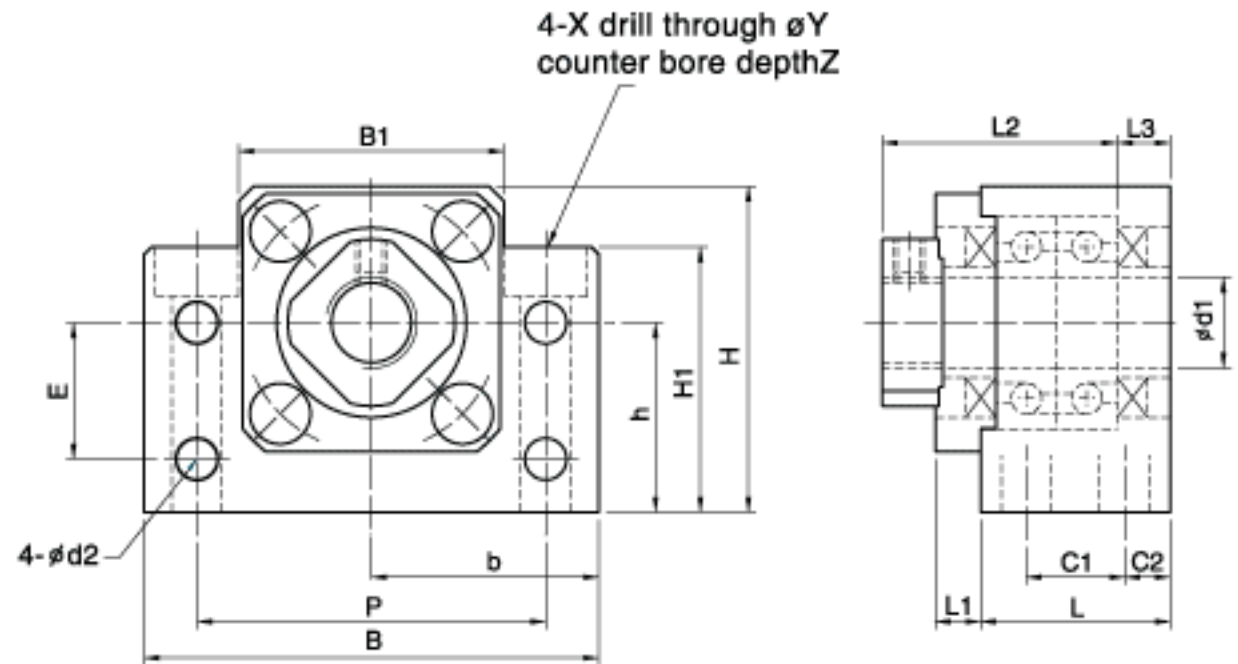


BK

Fixed Side



Unit : mm

Model No.	d1	L	L1	L2	L3	C1	C2	B	H	$b^{+0.02}$	$h^{+0.02}$	B1	H1	E	P	d2	X	Y	Z
BK 10	10	25	6	31	7	13	6	60	39	30	22	34	32.5	15	46	5.5	6.6	11	5
BK 12	12	25	6	31	7	13	6	60	43	30	25	35	35	18	46	5.5	6.6	11	6.5
BK 15	15	27	6	33	7	15	6	70	48	35	28	40	38	18	54	5.5	6.6	11	6.5
BK 17	17	35	8	43	9	19	8	86	64	43	39	50	55	28	68	6.6	9	14	8.5
BK 20	20	35	8	43	9	19	8	88	60	44	34	52	50	22	70	6.6	9	14	8.5
BK 25	25	42	12	52	10	22	10	106	80	53	48	64	70	33	85	9	11	17.5	11
BK 30	30	45	14	55	11	23	11	128	89	64	51	76	78	33	102	11	14	20	13
BK 35	35	50	14	63	12	26	12	140	96	70	52	88	79	35	114	11	14	20	13
BK 40	40	61	18	71	16	33	14	160	110	80	60	100	90	37	130	14	18	26	17.5

Midwest Motion Products, Inc.